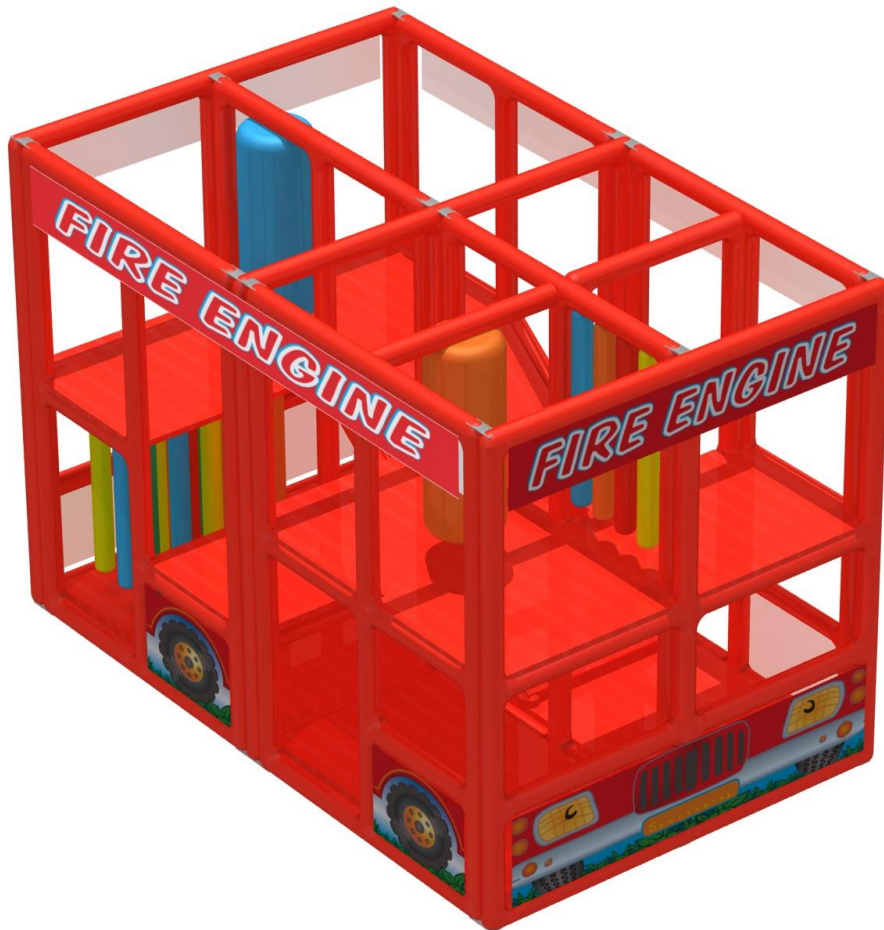
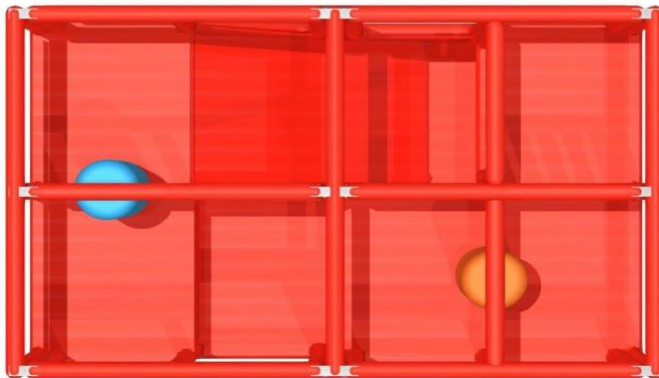
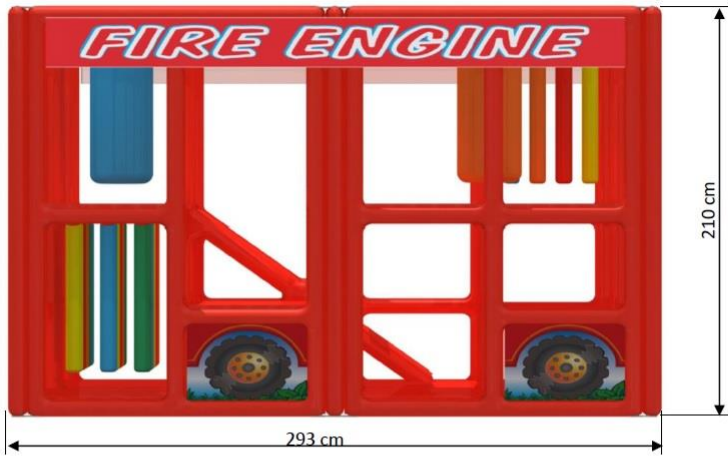
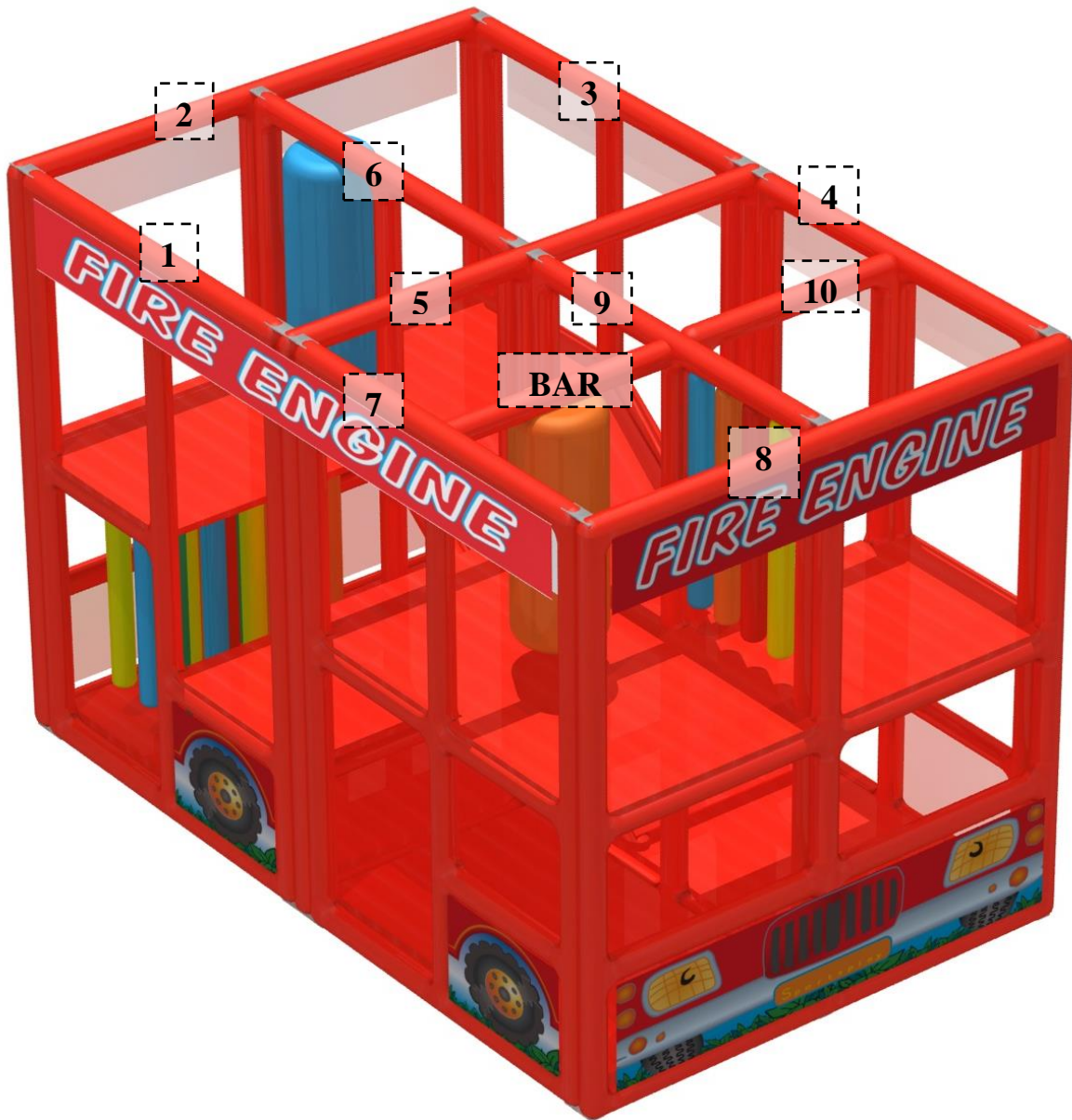


## INSTALLATION INSTRUCTIONS FOR FIRE ENGINE



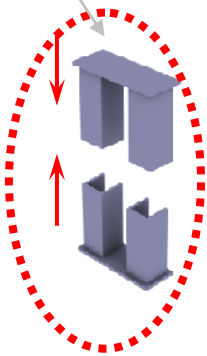
- \* 20 pcs of thin rollers r:80mm
- \* 2 pcs of heavy bag r:300mm
- \* 1 pcs of soft slide



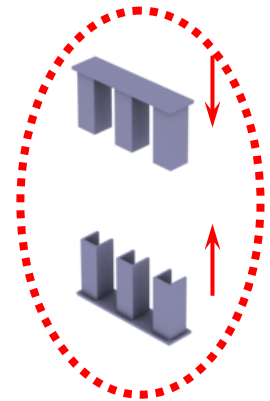


Connectors to attach the panels during assembly of the system.  
- Red arrows indicate directions

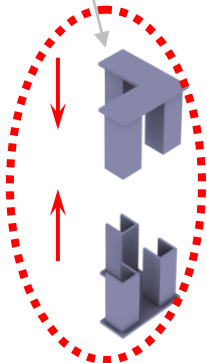
**\*1 Connector**



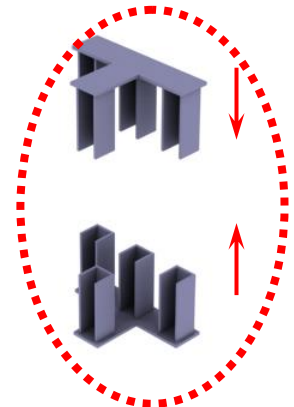
**\*2 connector**



**\*3 connector**



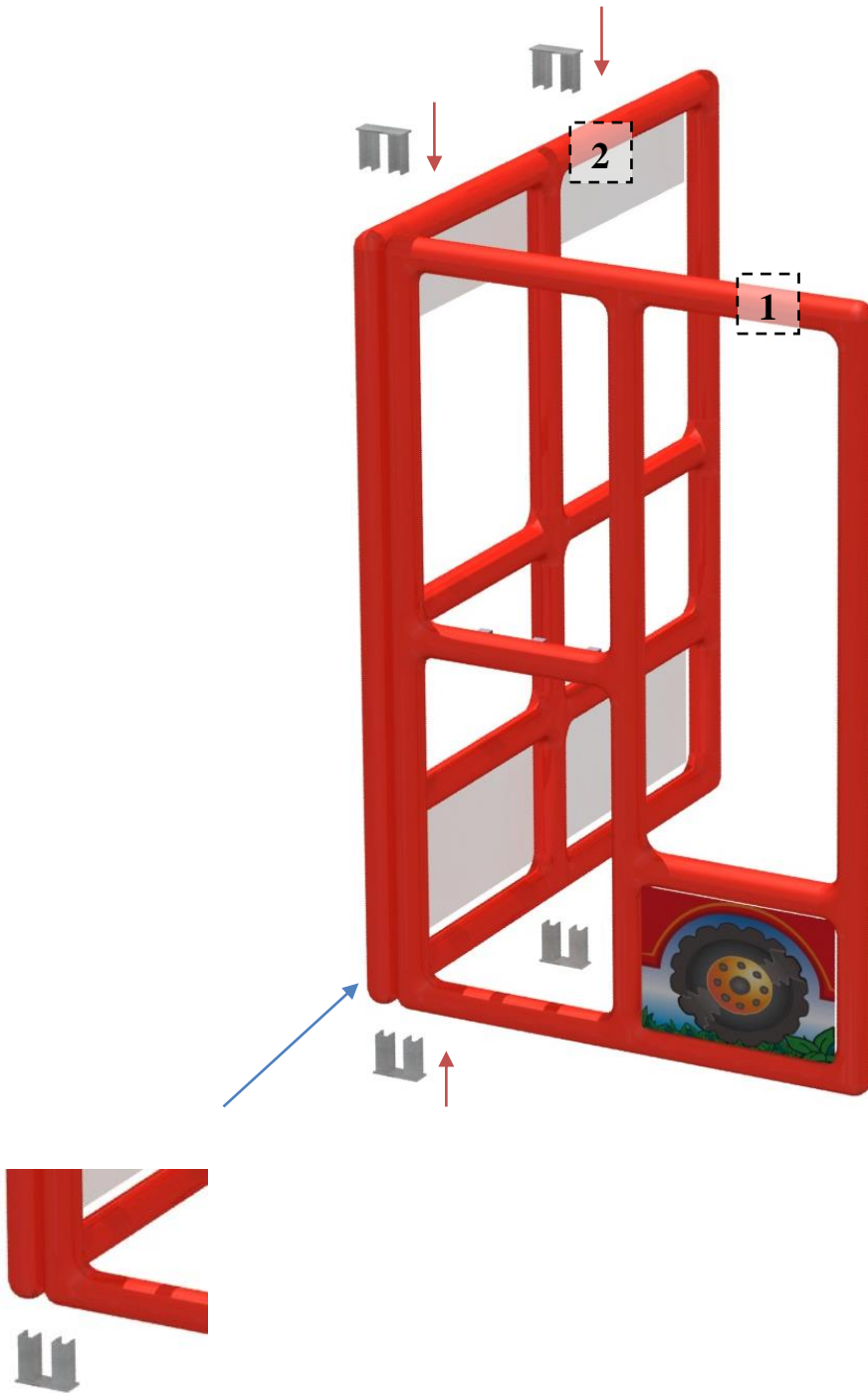
**\*4 connector**



Black arrow indicates panel mounting

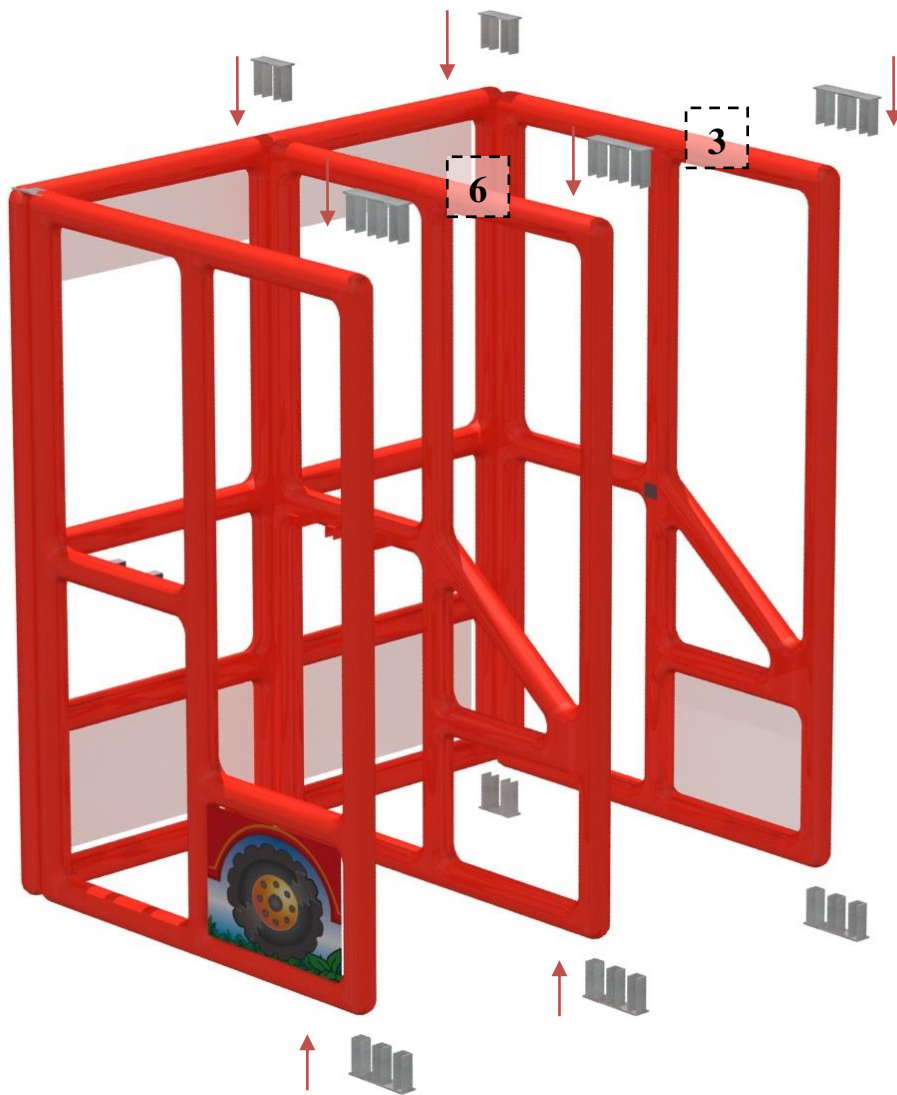


Blue arrow indicates detailing pictures

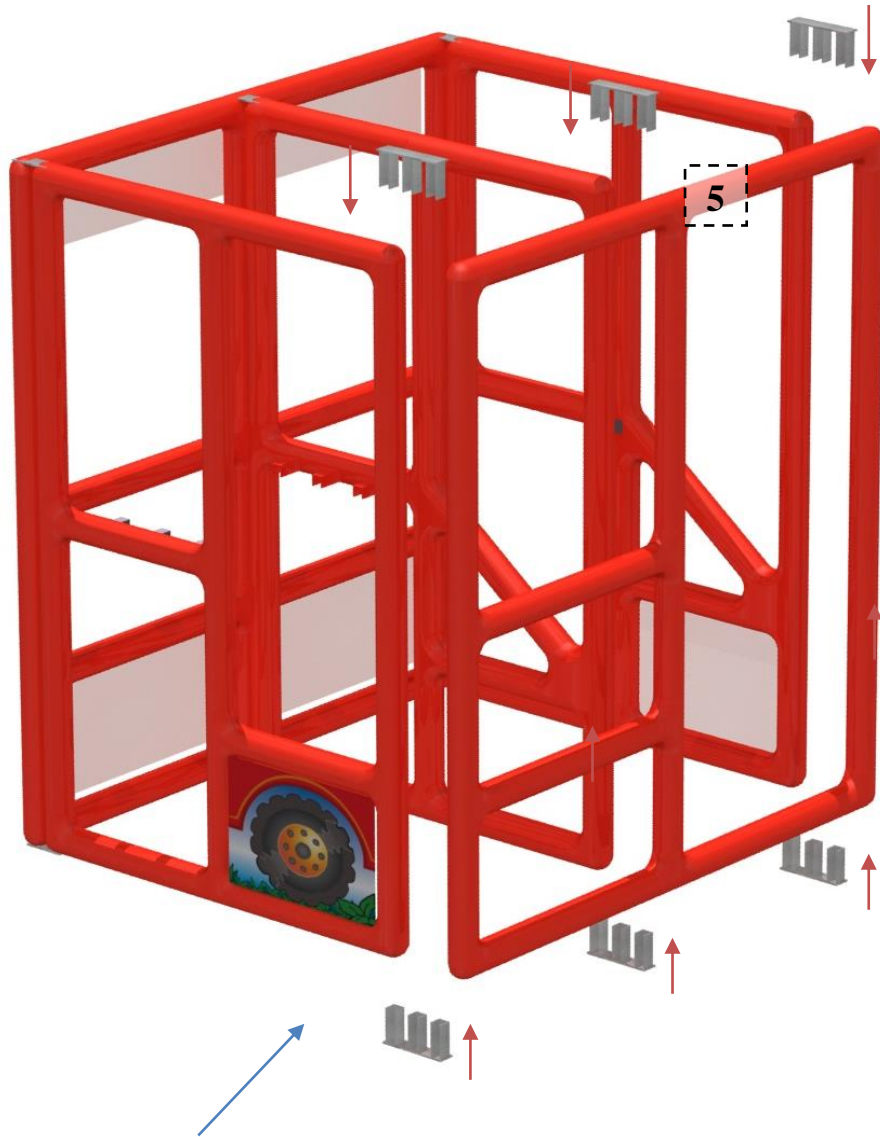


❖ The panels are numbered 1 and 2 are fixed with metal insert.

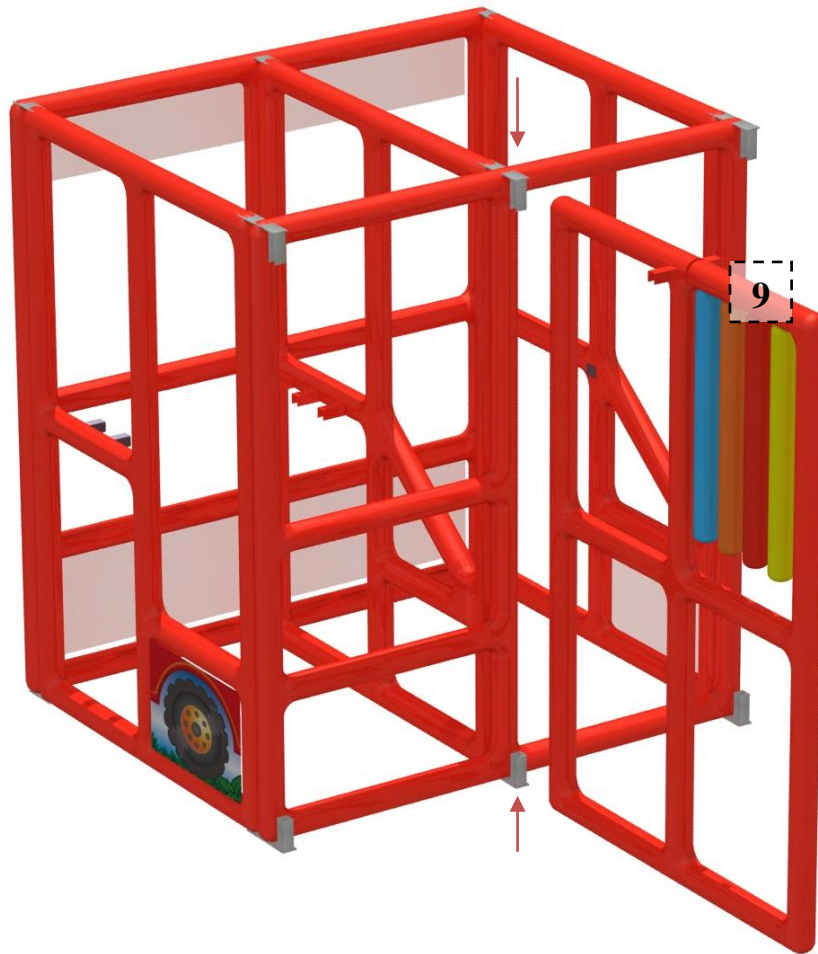




❖ The panels are numbered 6 and 3 are fixed with metal insert.

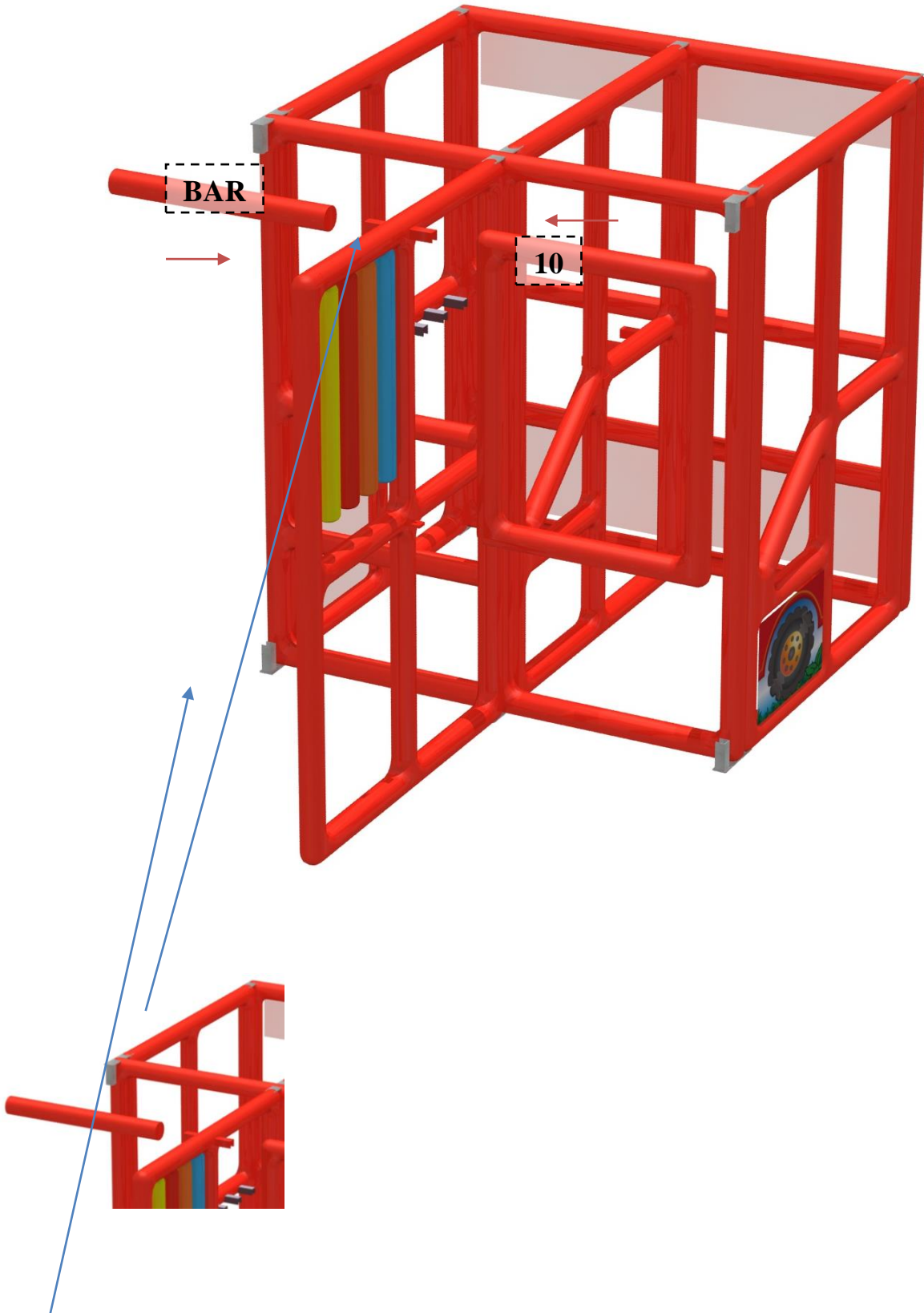


❖ The panel is numbered 5 is fixed with metal insert

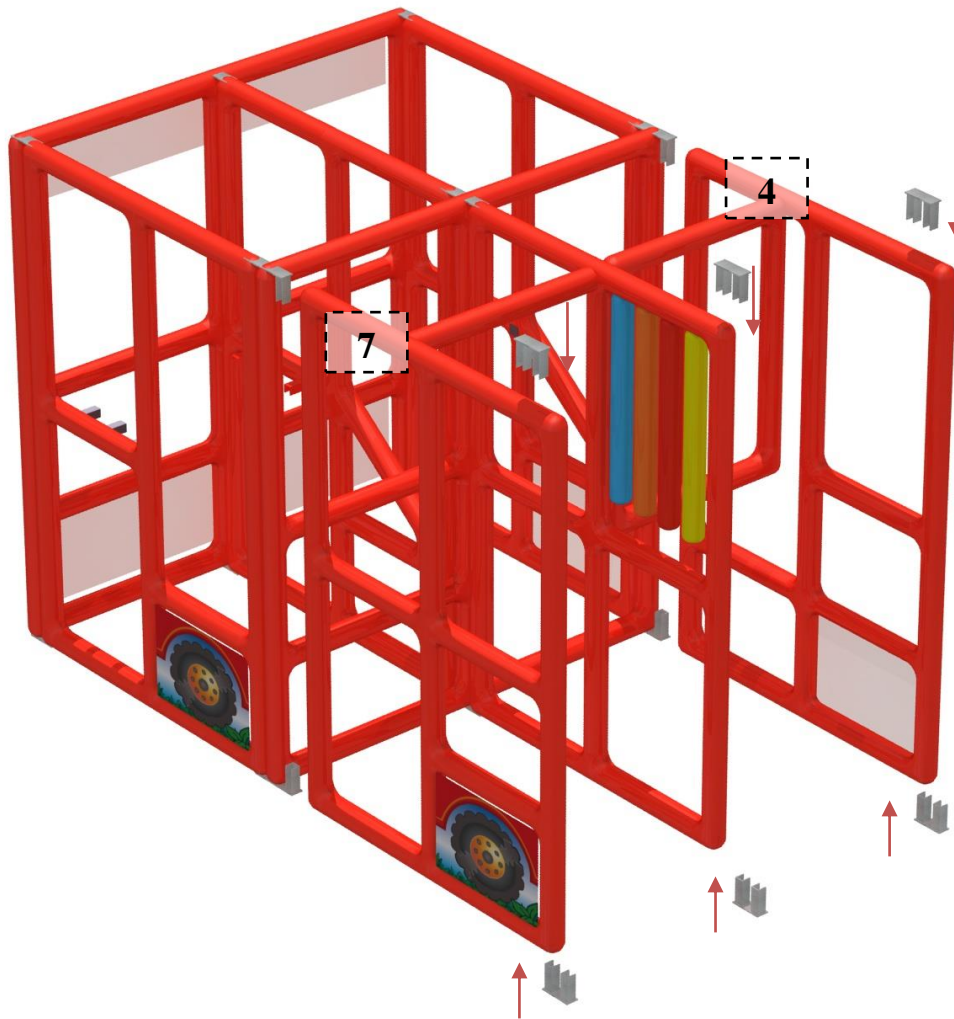


❖ The panel is numbered 9 is fixed with metal insert

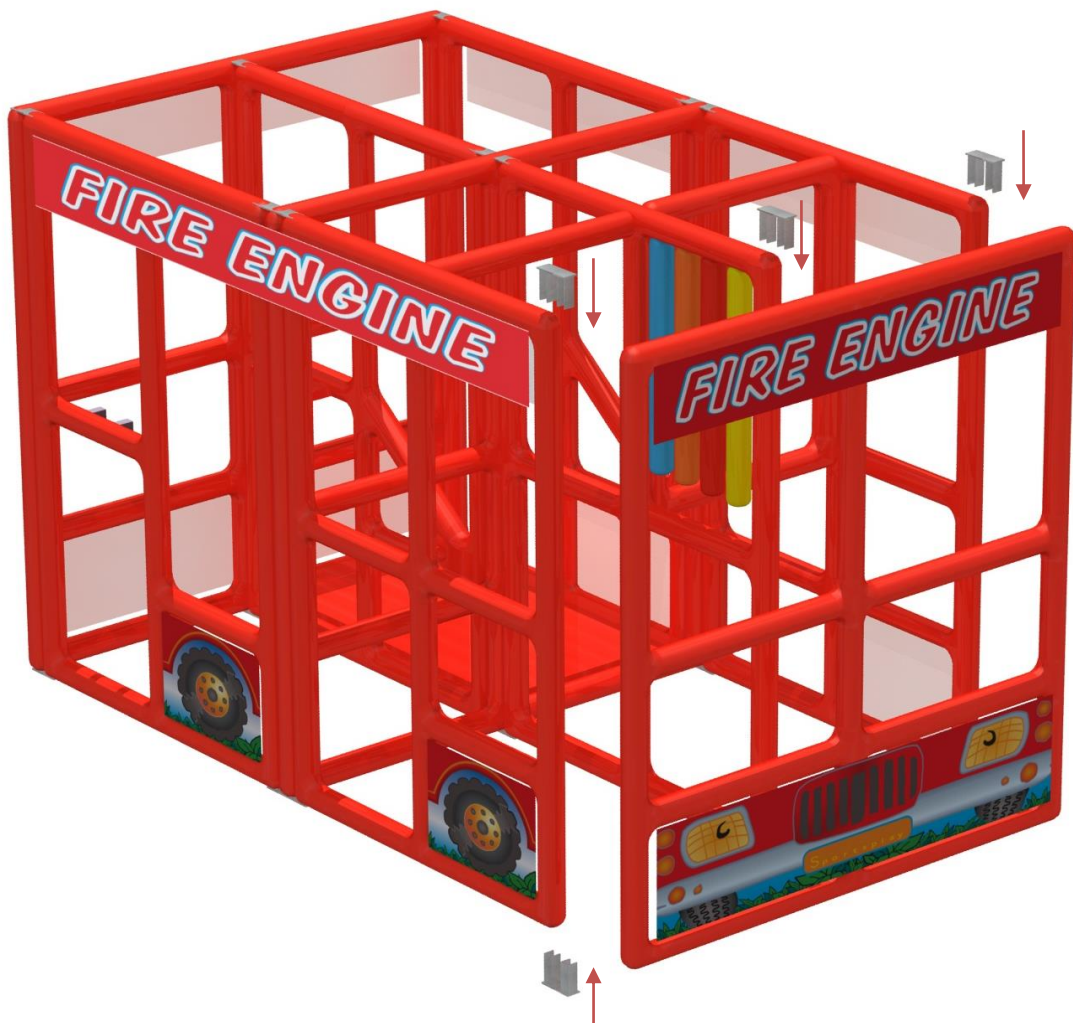




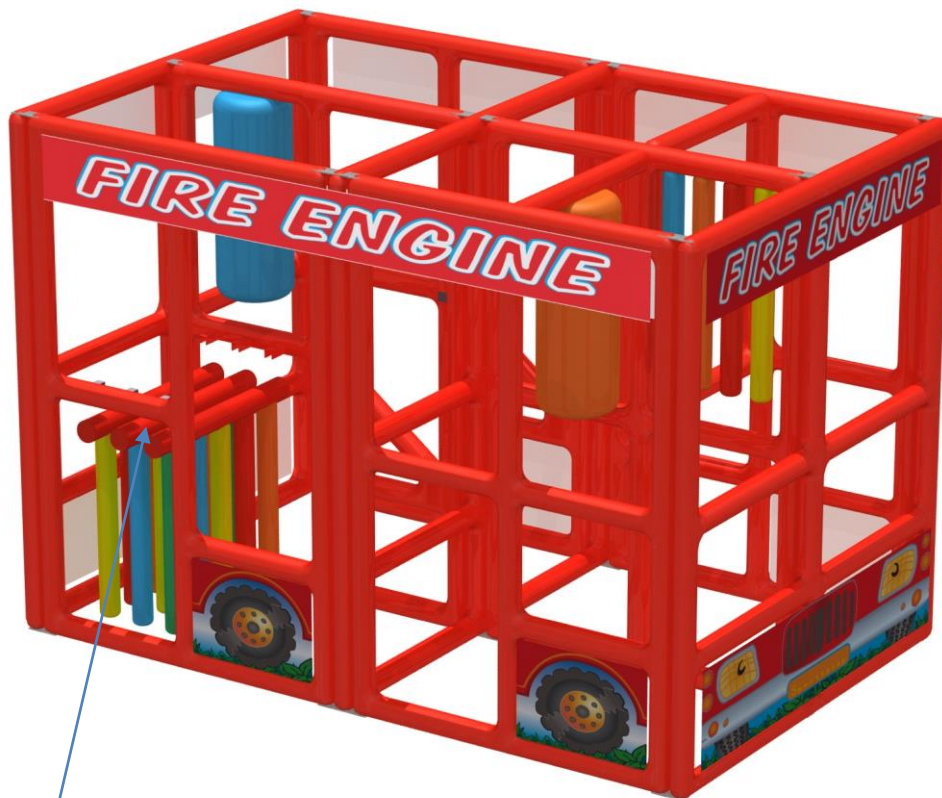
- ❖ The Bar and the panel is numbered 10 are fixed with metal insert in panel 9



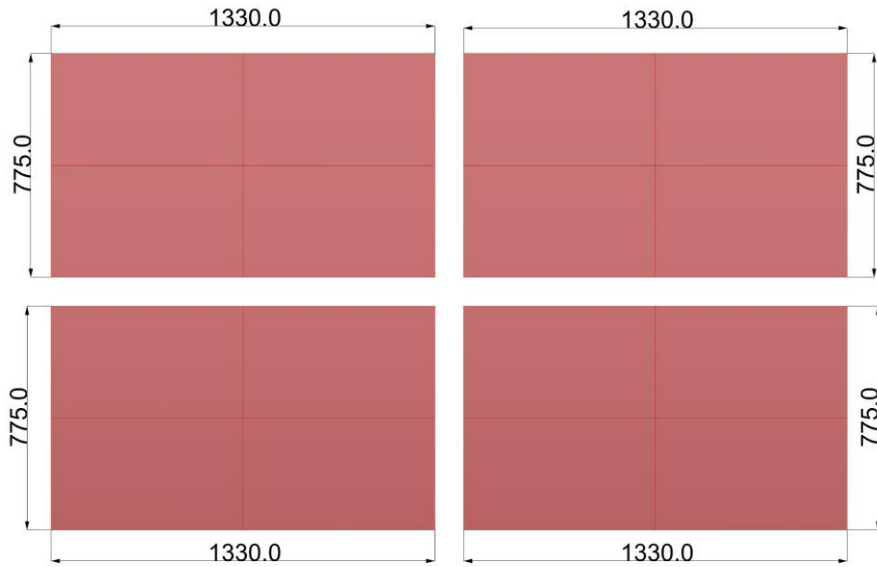
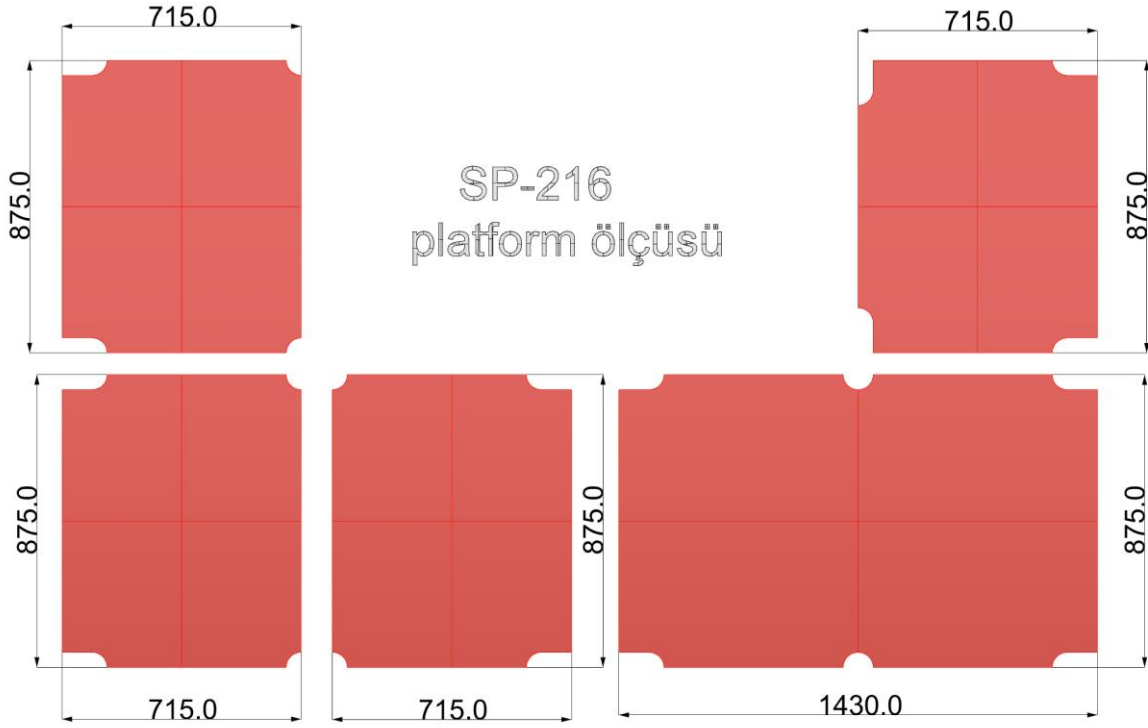
- ❖ The panels are numbered 7 and 4 are fixed with metal insert



❖ The panel is numbered 8 is fixed with metal insert.



❖ Thin rollers are fixed by attaching to the bar as shown in the pictures.



SP-216  
sünger ölçüsü





After the installation; the upper part of the product is covered with net.  
The net is attached to the panels with cable ties.

The digital prints in this system are attached to the panels with cable ties .

